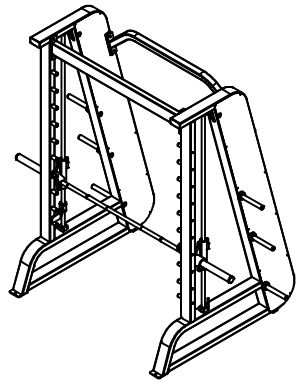
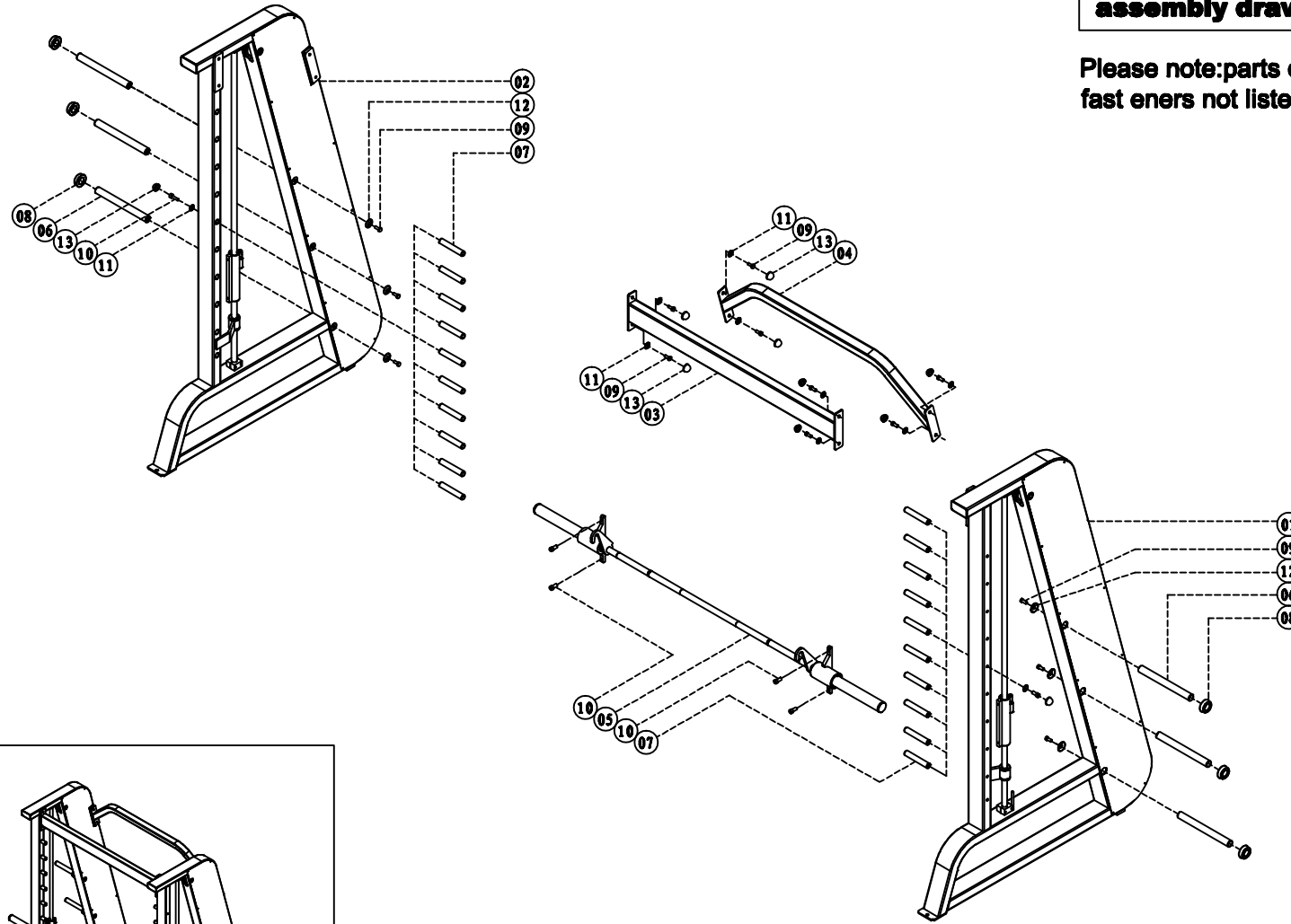


assembly drawing SHIMITH MACHINE

Please note: parts didn't demolished part and fast eners not listed on the introduction



13	Ø30nutotic	28
12	plastic conant gasket Ø12.5*Ø44*7L.0	6
11	gasketØ13*Ø30*7L.0	28
10	cylindrical head bar screwM10*30	24
09	hex screwM12*20	14
08	cushion padØ32*Ø60*20	6
07	securing key	20
06	reserve weight stack arm hang	6
05	barbell rack	1
04	connecting band pipe	1
03	connecting pipe	1
02	right rack	1
01	left rack	1
NO.	NAME	QUANTITY