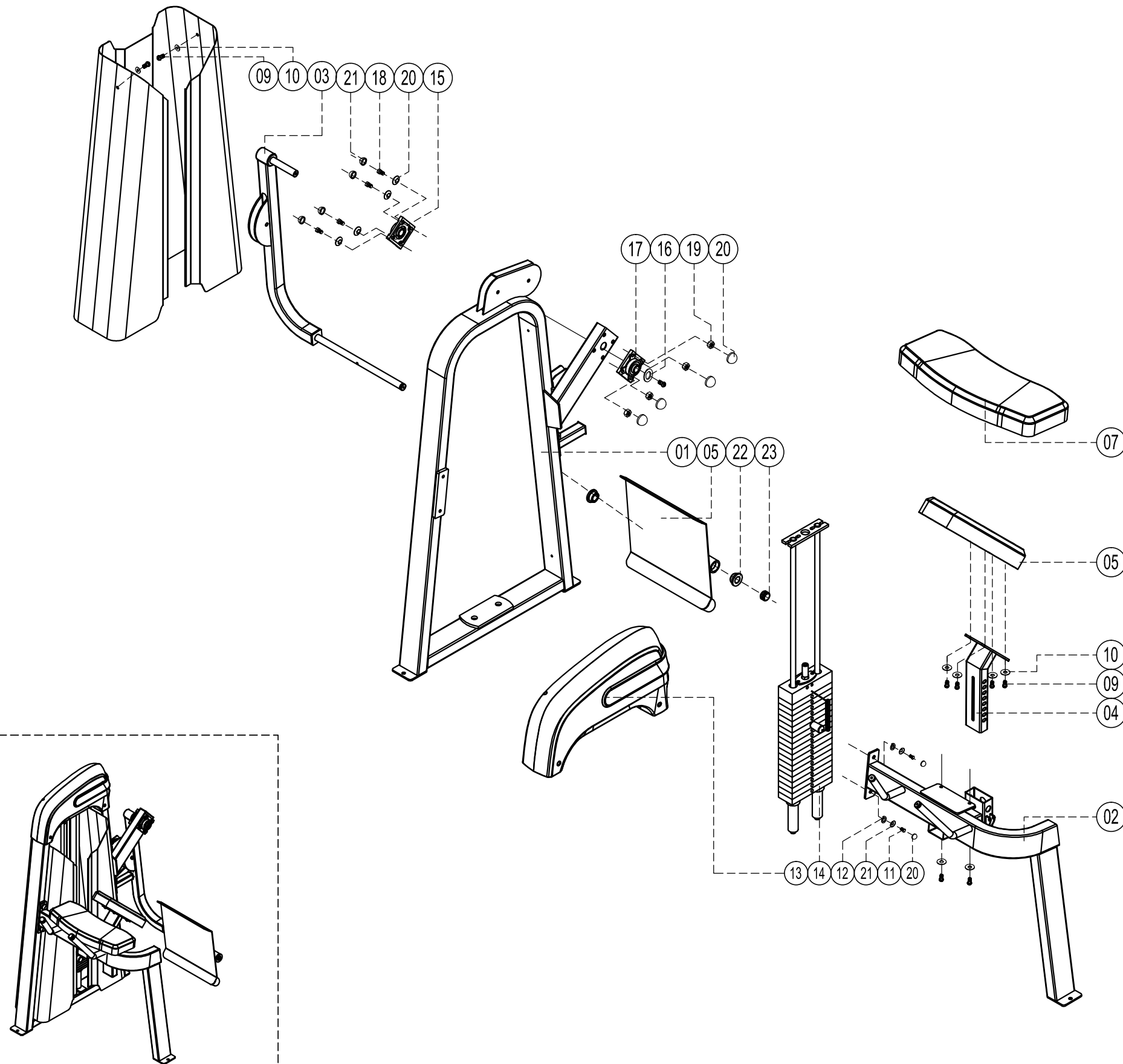


Exploded

1024 Glute Isolator

please note :prats didn't demolitionde part and fast eners not listde on the introduction



23	Aluminum top cover B027 φ33*18.8	1
22	nylon cover S215 Φ50*6+Φ38+Φ25	2
21	drum washer Φ12*Φ30*T1.0	10
20	cover S220 φ30	10
19	nut M12	4
18	outside hex screw M12*90	4
17	flat washer Φ30	1
16	Snap head Inner hex screw M10*20	1
15	Plummer block F205	2
14	weight stack set	1
13	Door cover	1
12	spring washer Φ12	2
11	outside hex screw M12*20	2
10	flat washer Φ8.3*Φ20*T1.5	10
09	Snap head Inner hex screw M8*16	10
08	guard	1
07	support pad	1
06	cusion	1
05	pedal combination	1
04	back cushion frame	1
03	movable arm	1
02	main frame	1
01	door frame	1
serial number	name	quantity