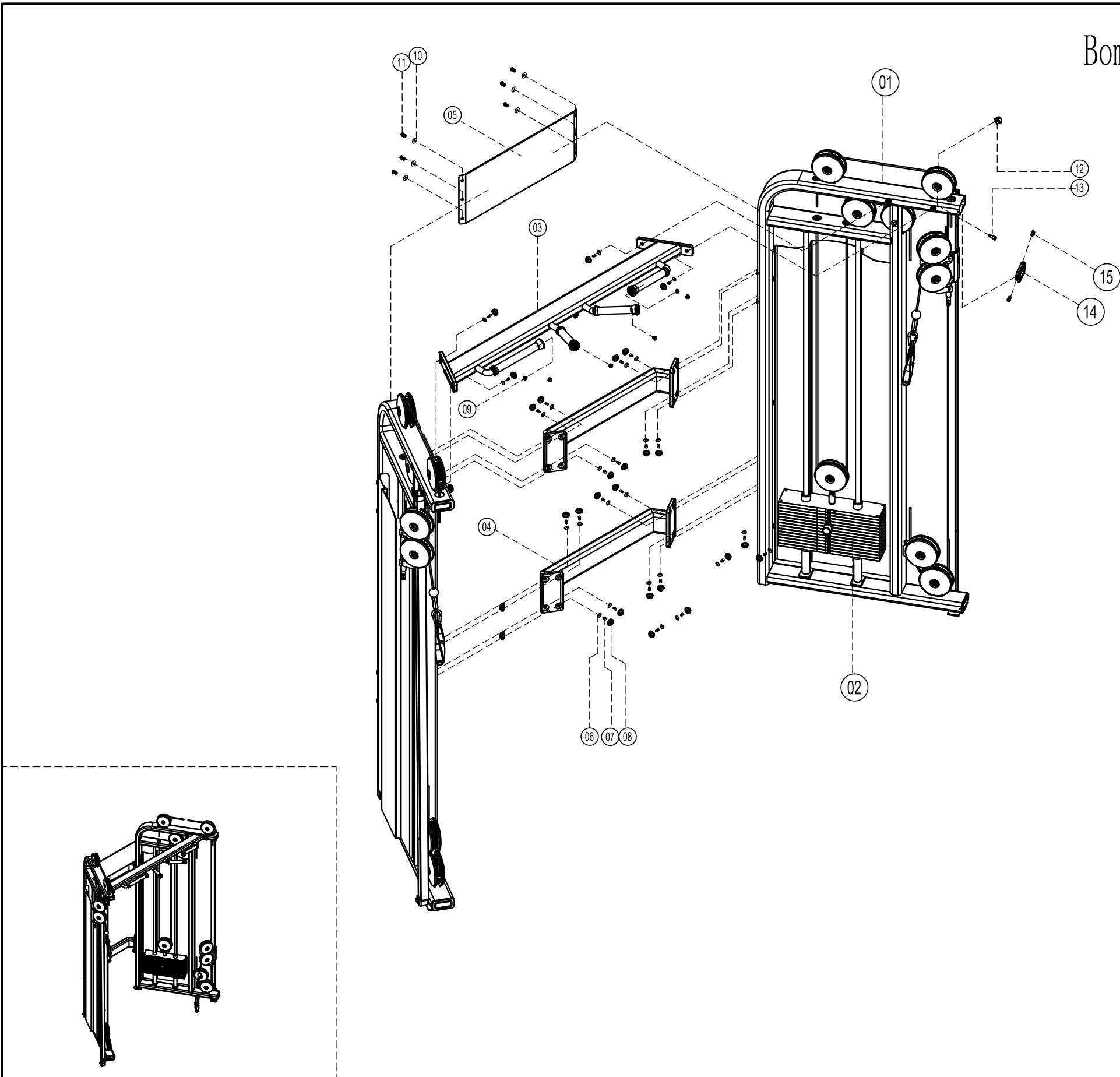


Bomb drawing

1017 Multi-functional trainer



15	M5*15 Cup head inner hex screw	8
14	S273 Tube cover	4
13	M10*65 Cylinder inner hex screw	18
12	M10 Anti-skid nuts	18
11	M8*15 Cup head inner hex screw	6
10	φ 8 flat washer	6
09	M8*20 Sunk inner hex screw	4
08	S277 screw cap	20
07	M12*30 Hex screw	20
06	φ12 gasket	20
05	Instruction board	1
04	Connection set	2
03	Handle supporter	1
02	Weight stack set	2
01	Door frame	2
No.	Name	Qty